

4

3

2

1

THIS DRAWING IS UNPUBLISHED.

RELEASED FOR PUBLICATION

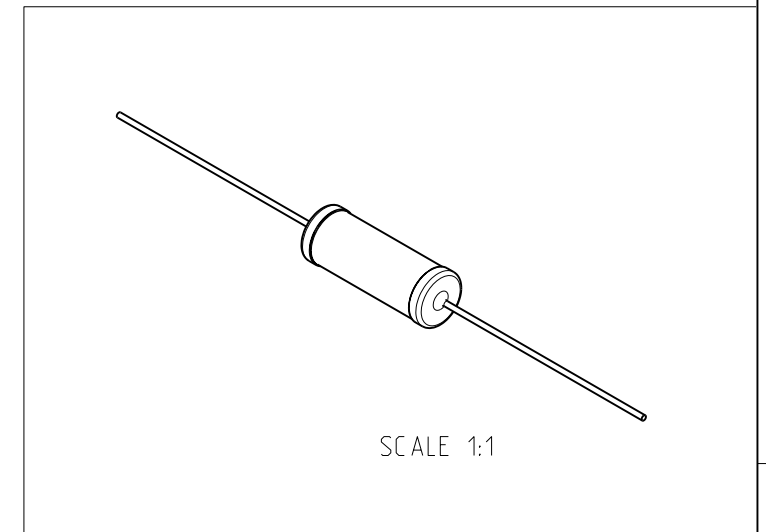
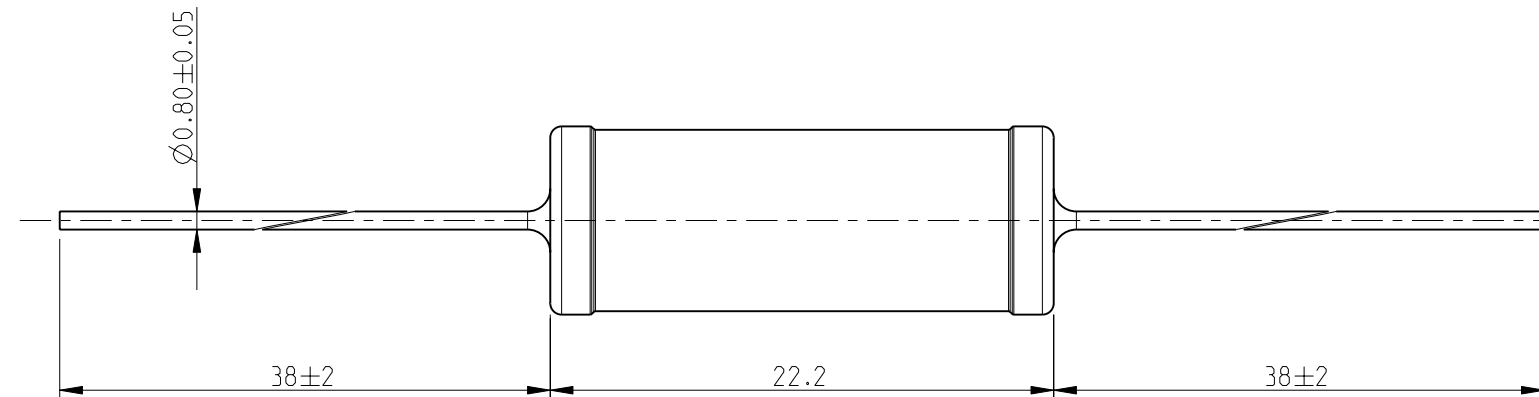
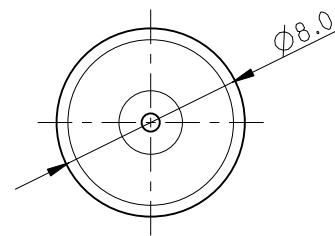
2010

© COPYRIGHT 2010 BY -


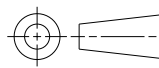
ALL RIGHTS RESERVED.

| LOC | DIST | REVISIONS | | | |
|-----|------|-------------|---------------------------|-----------|--------|
| P | LTR | DESCRIPTION | DATE | DWN | APVD |
| E | B | BA1 | REVISED PER ECO-11-005150 | 29MAR2011 | RK HMR |
| | | | | | |

FOR FURTHER INFORMATION SEE DATA SHEET FOR SERIES ER/ERV- HIGH POWER RESISTORS



RoHS Compliant

| | | | | | | | | | | |
|---|--------|------------------|-----------|-----------|--|-----------|------------|---------------|-----|-----|
| THIS DRAWING IS A CONTROLLED DOCUMENT. | | DWN | MAHARUDRA | 11-FEB-10 |  TE Connectivity NAME HIGH POWER RESISTORS SERIES ER58 | | | | | |
| DIMENSIONS: mm | | CHK | ALLAN.P | 11-FEB-10 | | | | | | |
|  | | APVD | STEPHEN.P | 11-FEB-10 | | | | | | |
| TOLERANCES UNLESS OTHERWISE SPECIFIED: 0 PLC ± 0.2 1 PLC ± 0.1 2 PLC $\pm -$ 3 PLC $\pm -$ 4 PLC $\pm -$ ANGLES $\pm 5^\circ$ | | PRODUCT SPEC | - | - | | | | | | |
| MATERIAL | - | APPLICATION SPEC | - | - | SIZE | CAGE CODE | DRAWING NO | RESTRICTED TO | | |
| | FINISH | WEIGHT | - | - | A3 | 00779 | 1623750 | - | | |
| CUSTOMER DRAWING | | | | | SCALE | 3:1 | SHEET | 1 OF 1 | REV | BA1 |